

PRODUCT DATA SHEET

MEG

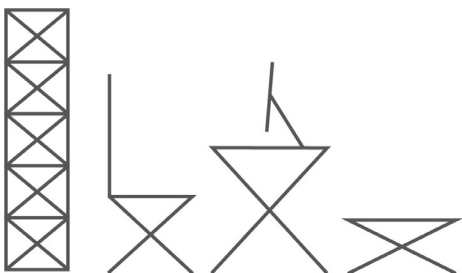
Sofa System

DESIGN

David Fox

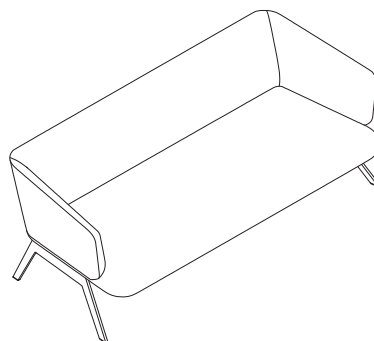
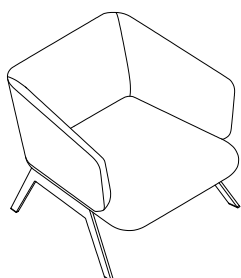




The form of the sofa is designed to surround a person. The form, combined with metal legs, creates balance on its shape. By using different colors of fabric at internal and external body of this model it is possible to create more colorful and modern forms.





tunaofis

VARIATIONS

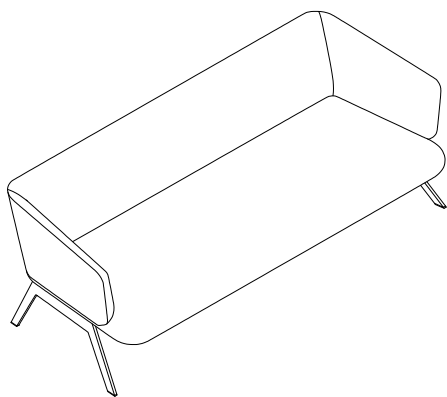


Single Seater		
Product Code	L/W/H (cm)	Fabric
11410 09102	95x84x74	Category 2
11410 09103	95x84x74	Category 3
Gross Weight		
	70 kg	
Packaging		
	106x101x98 cm (1,02 m ³) 74 kg	


Double Seater		
Product Code	L/W/H (cm)	Fabric
11410 16002	164x84x74	Category 2
11410 16003	164x84x74	Category 3
Gross Weight		
	115 kg	
Packaging		
	171x101x98 cm (1,07 m ³) 130 kg	


VARIATIONS

INFORMATION



Triple Seater		
Product Code	L/W/H (cm)	Fabric
11410 22002	224x84x74	Category 2
11410 22003	224x84x74	Category 3

Weight	
	150kg

Packaging	
	231x101x98 cm (2,29 m ³) 174 kg

Fabrics

You can use fabrics from Category 2, Category 3.

Category 2: Urban Plus, Gravity.

Category 3: Synergy, Nexus.

Please, see Product Data Sheet for Fabrics.

Legs

Legs are from metal.

Please, see Product Data Sheet for Materials.

Combinations

You can combine with coffee tables.

Please, see Product Data Sheets for Coffee Tables.

